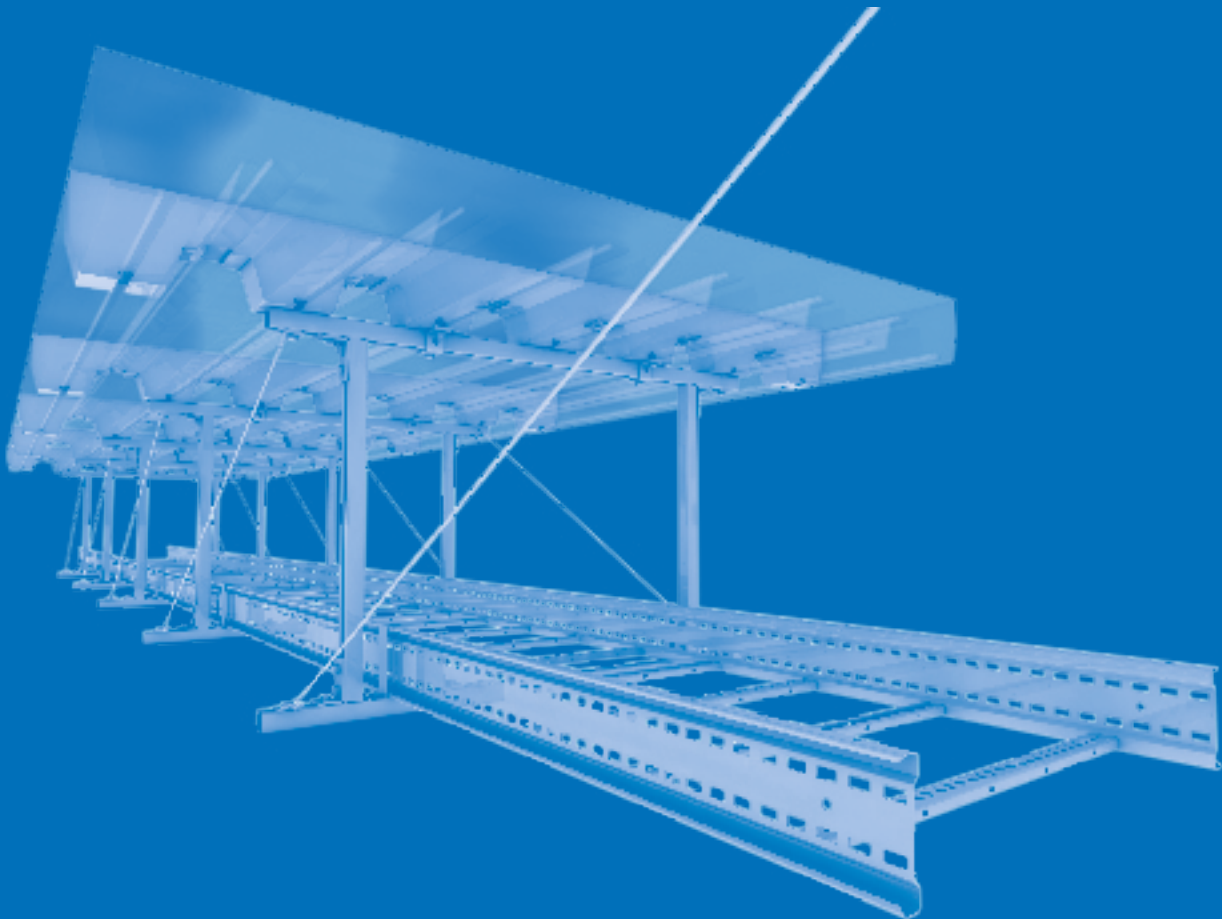




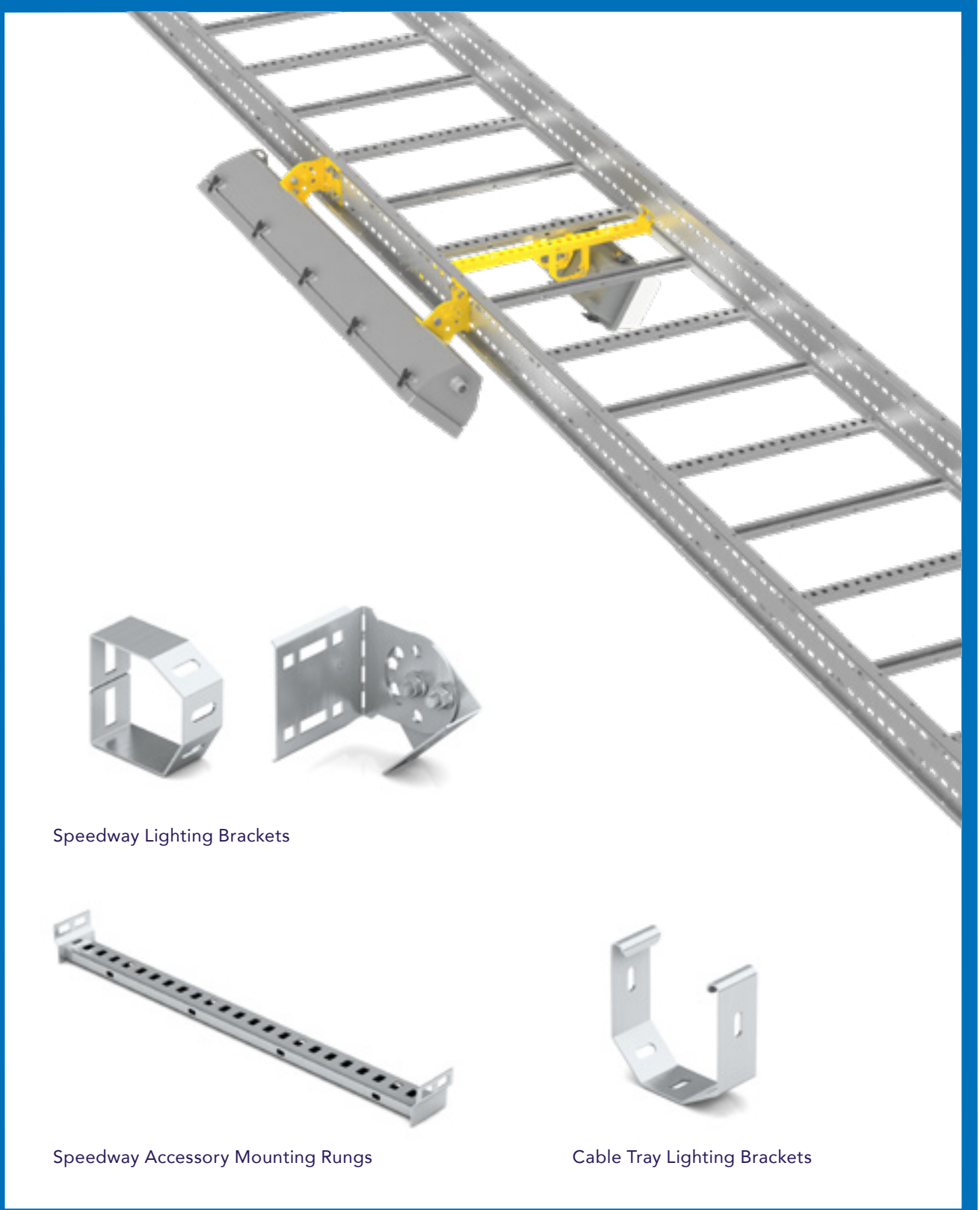
VANTRUNK

SECTION 06: INNOVATIVE DESIGN SOLUTIONS

Combining our extensive industry experience and our continual investment in research and development; Vantrunk have secured our position as the leader in bespoke made to order solutions within the cable management sector.



LIGHTING BRACKETS



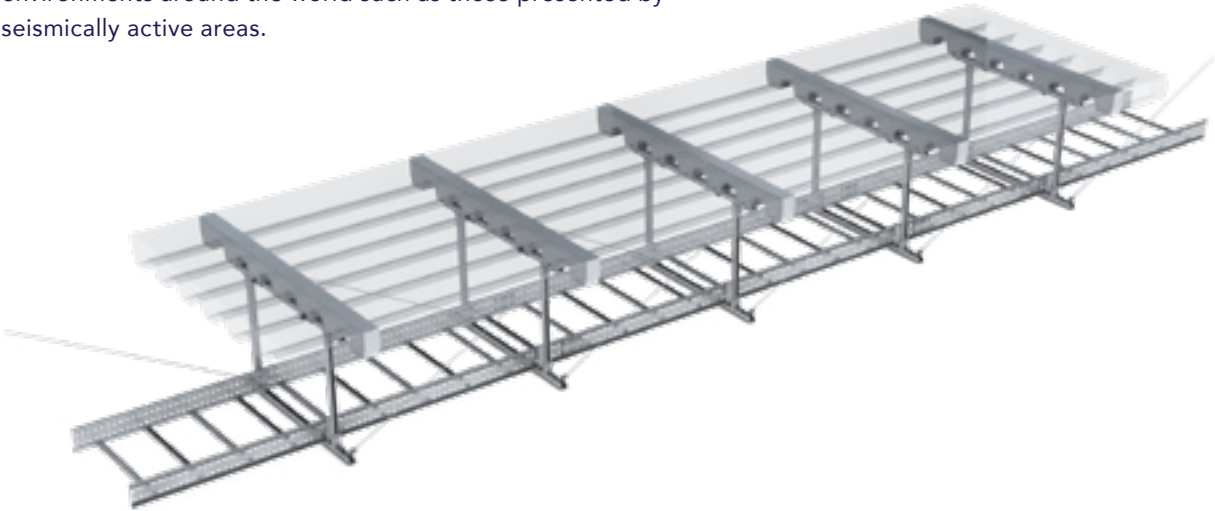
Speedway Lighting Brackets

Speedway Accessory Mounting Rungs

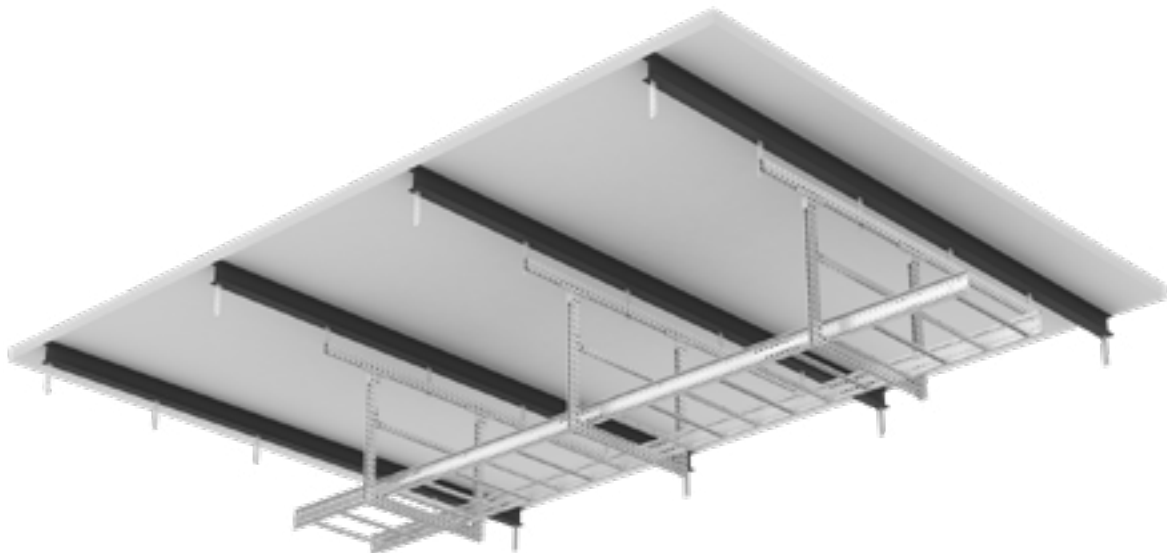
Cable Tray Lighting Brackets

ASSEMBLIES FOR SEISMIC ACTIVE AREAS

As Extreme Environment Experts Vantrunk can work closely with customers to overcome obstacles when working in harsh environments around the world such as those presented by seismically active areas.

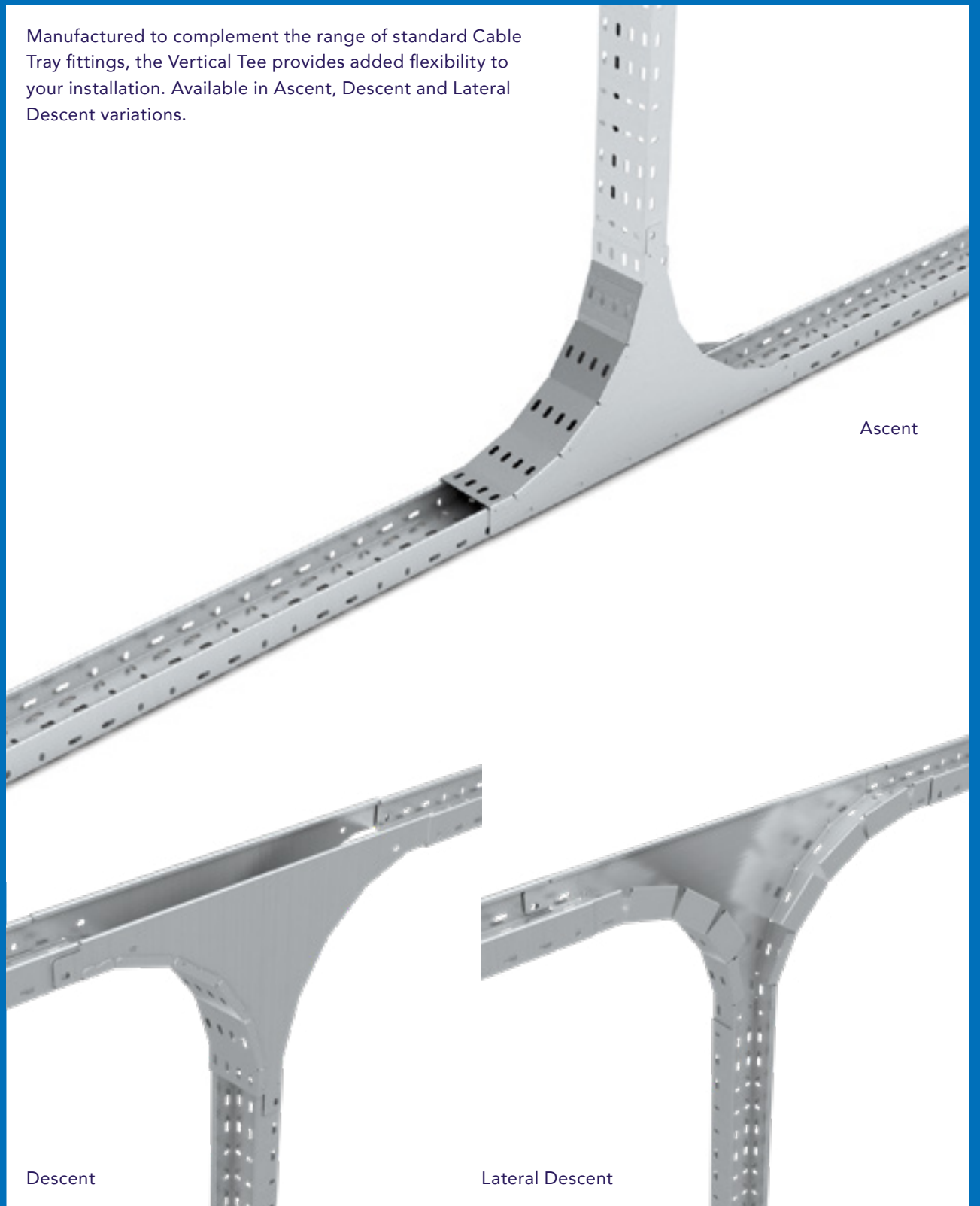


FLEXIBLE ASSEMBLY



VANTRUNK CABLE TRAY VERTICAL TEES

Manufactured to complement the range of standard Cable Tray fittings, the Vertical Tee provides added flexibility to your installation. Available in Ascent, Descent and Lateral Descent variations.

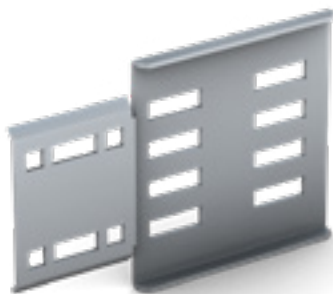


BRIDGE CABLE SUPPORT

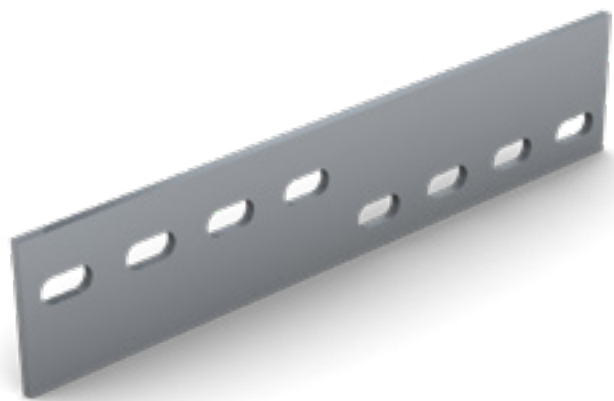


TRANSITION COUPLERS

Bespoke designs that allow connection of Vantrunk Speedway Cable Ladder and Tray products to other Cable Management manufacturer's products. This is an ideal product when looking to install Vantrunk product on a site with existing cable management products.



Speedway Transition Coupler



Cable Tray Transition Coupler

SPEEDWAY Y-FITTINGS

Manufactured to complement the range of standard Speedway fittings, the Speedway Y-Fitting provides added flexibility to your installation. Available in right hand and left hand options.



SPEEDWAY VERTICAL TEES

Manufactured to complement the range of standard Speedway fittings, the Vertical Tee provides added flexibility to your installation. Available in Ascent and Descent configurations, both of which are suitable for mid-span or end - span changes of direction.

